

Roman numerals

I Match the numbers to the Roman numerals.

1
5
10
50
100

L
C
V
X
I

2

Write each number in Roman numerals.

a) 7 f) 89 b) 12 g) 17 c) 23 h) 41 d) 55 i) 27 e) 72

3

Eva lives in this house.

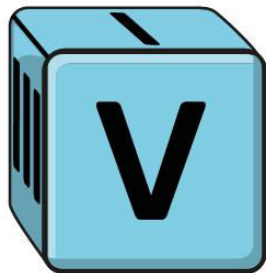


What number does Eva live at?

Eva lives at number

4

Jack rolls two 6-sided dice.



What is Jack's total score?

Alex rolls the same dice and gets two different numbers.

Her score is the same as Jack's.

What numbers could Alex have rolled?

 and

5

Write the Roman numeral in numerals and words.

a) XXIV _____

b) LXXI _____

c) LXVIII _____

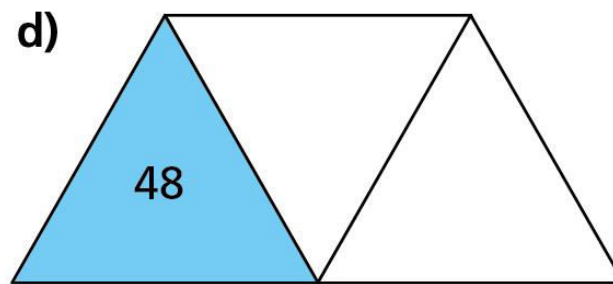
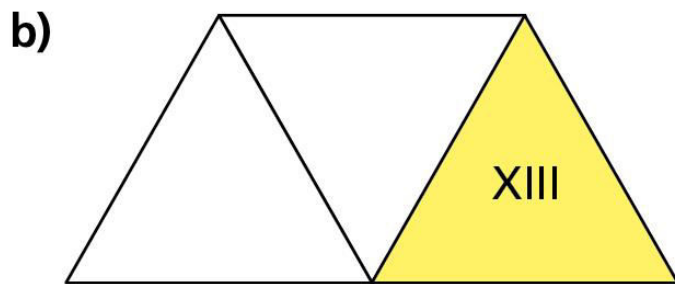
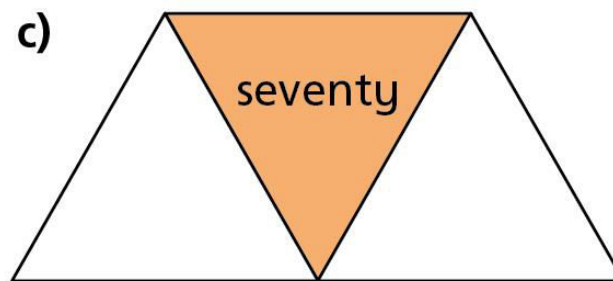
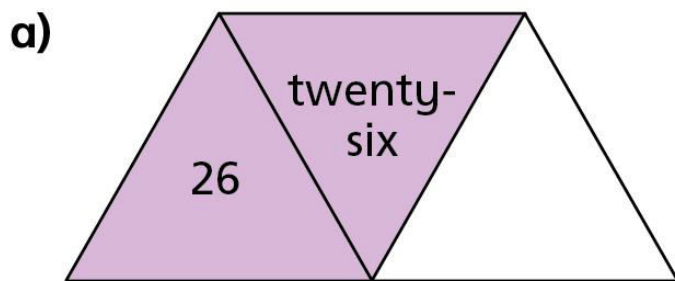
d) XCVI _____

e) XXVIII _____

f) XCI _____

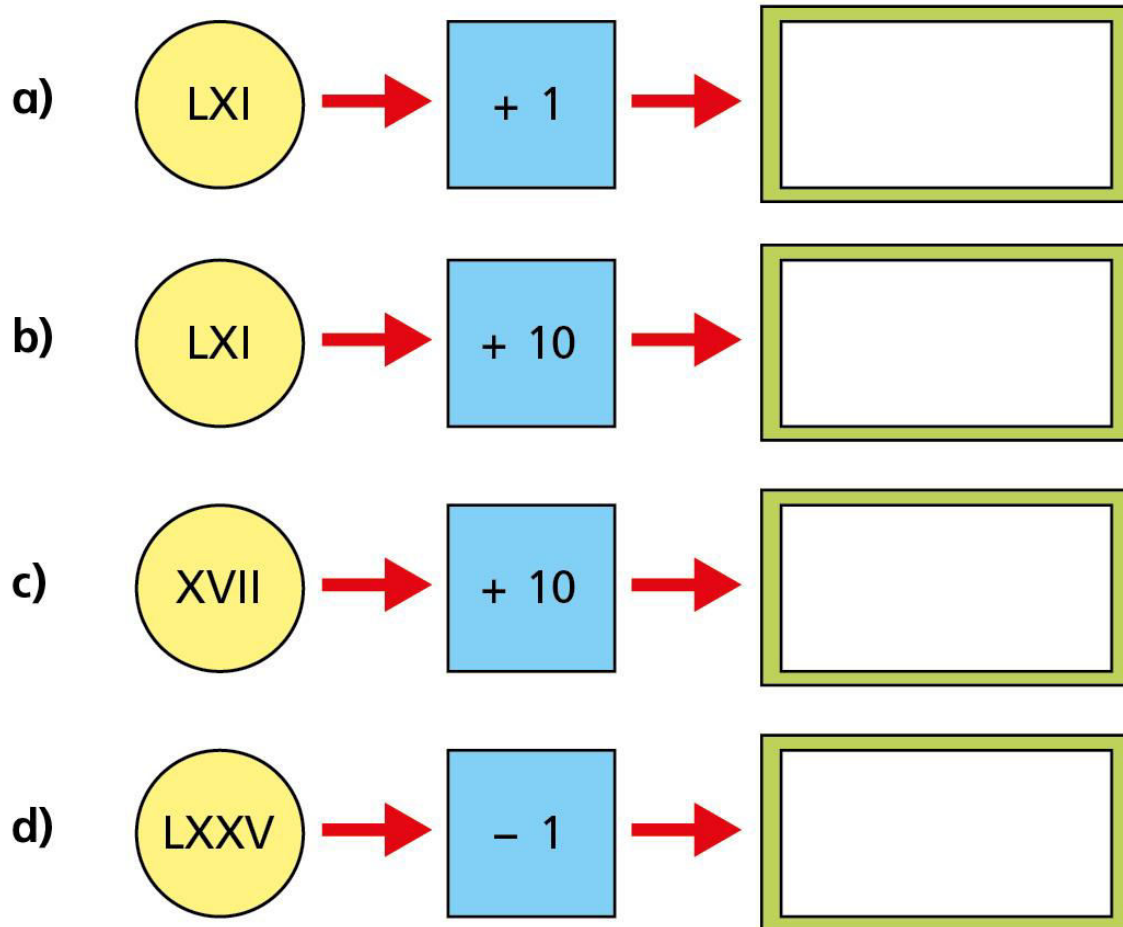
6

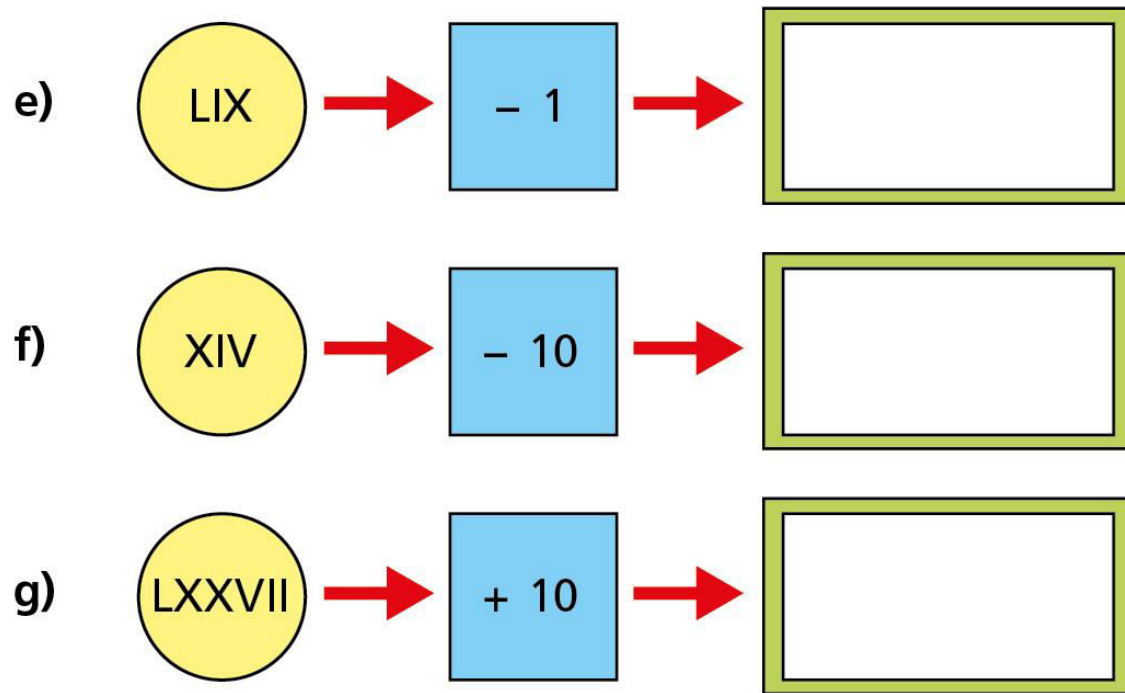
Each diagram should show a number in numerals, words and Roman numerals. Complete the diagrams.



7

Complete the function machines.





8

Complete the calculation.

$$XXIX + \boxed{} = LXI + \boxed{}$$

How many other calculations can you write that give the same total?

Compare your answers with a partner.

